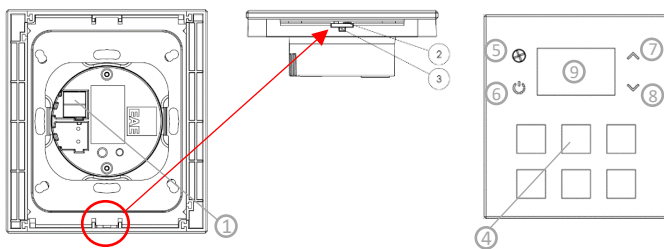


Device Description

MONA premium thermostat series create a natural harmony and adds value to your interior designs with elegant look and sophisticated technology. It is used to control the HVAC systems including control the switches, dim the lights, activating scenes, control blinds and vice versa.

- Monoblock glass design
- 60x60 mm easy mounting to standard junction boxes.
- Different glass color options
- Configurable RGB illuminated buttons
- Up to 6 independent programmable buttons
 - Switching
 - Dimming
 - Shutter/Blind
 - Value
 - Scene control
 - Status notification

Operation and Display



1. KNX Port Terminal	6. Operation Mode Button (Comfort, Night, Away, Protection)
2. Programming LED	7. Setpoint Temperature UP
3. Programming Button	8. Setpoint Temperature DOWN
4. Control Buttons	9. Built-in Screen
5. Fan Speed (1, 2, 3, Auto)	

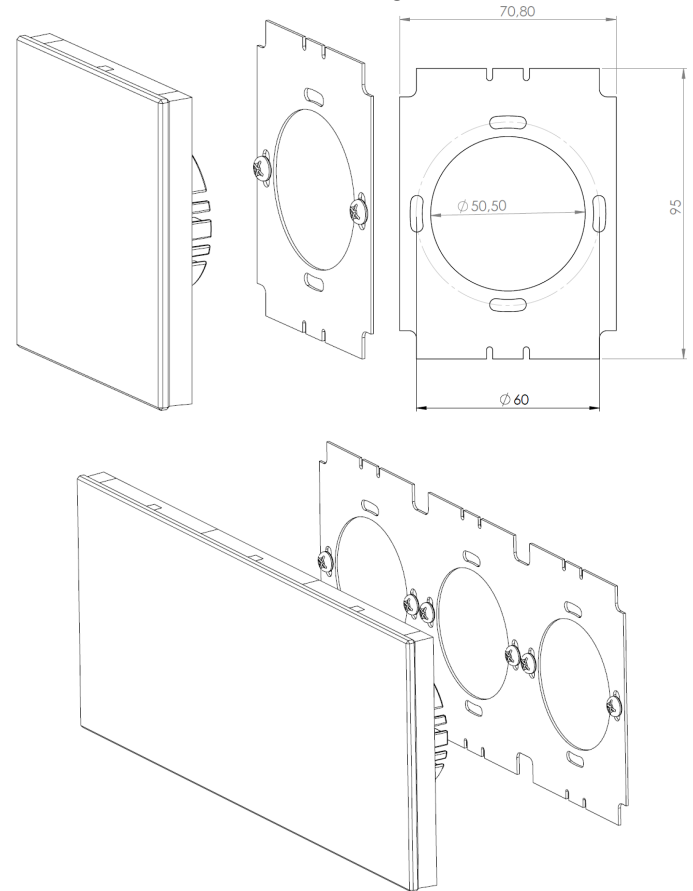
Technical Data

Protection Type	IP20	EN 60 529
Safety Class	II	EN 61 140
Connections	KNX	Bus Connection
Power Supply	Voltage Current drawn from bus	21V... 30V DC, KNX <10mA
Operating Elements	LED (red) LED (white)	Addr Prog.LED Button Status LEDs
Operating Temperature	Ambient Storage	-5° C + 45° C -25° C + 55° C
Temp. Sensor	Measurement Accuracy	±0,3 °C
Humidity	Max. Air humidity Front side	95% no moisture 90 x 100 mm
Dimensions	Side – Surface mounted part Side – Flush mounted part	12 mm 18.8 mm
Weight	65 g	
Box Material	Glass – Surface Polycarbonate – Flush mounted part	
Color	Front Side – Glass – Black or White Flush mounted part – Polycarbonate - Black	
CE	In accordance with the EMC guideline and low voltage directives	

Installation

Installation of the product is done with metal flange. It is fixed to the junction box by using screws. The switch has magnets and should be positioned the screen upwards. The device will stick on flange via magnetization. Multiple devices can be combined up to 3.

NOTE: Distance between center of flanges is **71 mm**.



Commissioning

Device default physical address is 15.15.255. Determination of the physical address and setting of parameters are actualized with Engineering Tool Software (ETS4 or higher). “.knxprod” file must be imported to the ETS. (<http://www.eaetechnology.com/>)

i A detailed information about parameter configuration can be found in Product Manual of device.

! Installation and commissioning of device may only be implemented by trained electricians. The relevant standards, directives, regulations and instructions must be observed when planning and implementing the electrical installation.

-Protect the device against moisture, dirt and damage during transport, storage and operation!

-Do not operate the device out of the specified technical data which is stated.

-The device may only be operated in closed enclosures (Distribution boards)

Cleaning

If device becomes dirty, only a dry cloth can be used for cleaning. It is not suitable to use wet cloths, caustics and solvents.