

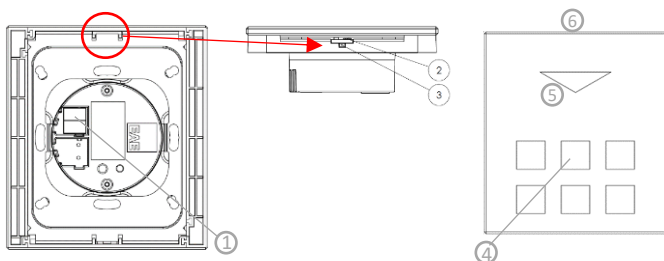


### Device Description

EAE Card Holder is intended to be used for energy saving purposes in hotel guest rooms.

- Monoblock glass design
- Compatible with Mifare 13.56 MHz card
- Contactless reading for RFID Card information.
- Prevents mechanical wear and card deformation.
- 60x60 mm easy mounting to standard junction boxes.
- Different glass color options
- Configurable RGB illuminated buttons
- Up to 6 independent programmable buttons
  - Switching
  - Value
  - Dimming
  - Scene control
  - Shutter/Blind
  - Status notification

### Operation and Display



- |                       |                                |
|-----------------------|--------------------------------|
| 1. KNX Port Terminal  | 4. Control Buttons             |
| 2. Programming LED    | 5. Card IN-OUT LED             |
| 3. Programming Button | 6. Card Insertion (Vertically) |

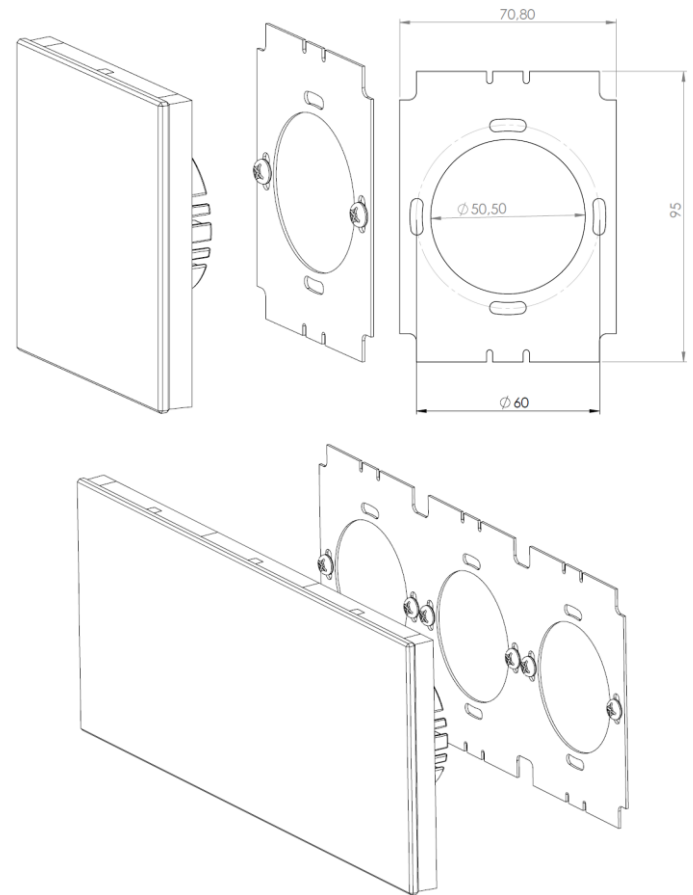
### Technical Data

|                              |  |                    |
|------------------------------|--|--------------------|
| <b>Protection Type</b>       | IP20   | EN 60 529          |
| <b>Safety Class</b>          | II   | EN 61 140          |
| <b>Connections</b>           | KNX  | Bus Connection     |
| <b>Power Supply</b>          | Voltage  | 21V... 30V DC, KNX |
|                              | Current drawn from bus   | < 25 mA            |
| <b>Operating Elements</b>    | LED (red)  | Addr Prog. LED     |
|                              | LED (RGB)  | Status LEDs        |
| <b>Operating Temperature</b> | Ambient  | -5° C + 45° C      |
| <b>Humidity</b>              | Max. Air humidity  | 95% no moisture    |
|                              | Front side   | 90 x 100 mm        |
| <b>Dimensions</b>            | Side – Surface mounted part                                      | 12 mm              |
|                              | Side – Flush mounted part  | 18.8 mm            |
| <b>Box Material</b>          | Surface : Glass  |                    |
|                              | Flush Mounted Part : Polycarbonate                               |                    |
| <b>Color</b>                 | Surface : Black or White   |                    |
|                              | Flush Mounted Part : Black                                       |                    |
| <b>CE</b>                    | In accordance with the EMC guideline and low voltage directives. |                    |

### Installation

Installation of the product is done with metal flange. It is fixed to the junction box by using screws. The switch has magnets and should be positioned the card slot upwards. The device will stick on flange by magnetization. Multiple devices can be combined up to 3.

NOTE: Distance between center of flanges is **71 mm**.



### Commissioning

Device default physical address is 15.15.255. Determination of the physical address and setting of parameters are actualized with Engineering Tool Software (ETS4 or higher). “.knxprod” file must be imported to the ETS. (<http://www.eaetechnology.com/>)

**i** A detailed information about parameter configuration can be found in Product Manual of device.

**!** Installation and commissioning of device may only be implemented by trained electricians. The relevant standards, directives, regulations and instructions must be observed when planning and implementing the electrical installation.

-Protect the device against moisture, dirt and damage during transport, storage and operation!

-Do not operate the device out of the specified technical data which is stated.

-The device may only be operated in closed enclosures (Distribution boards)

### Cleaning

If device becomes dirty, only a dry cloth can be used for cleaning. It is not suitable to use wet cloths, caustics and solvents.