

Datasheet SW104

EAE KNX Switch Actuator

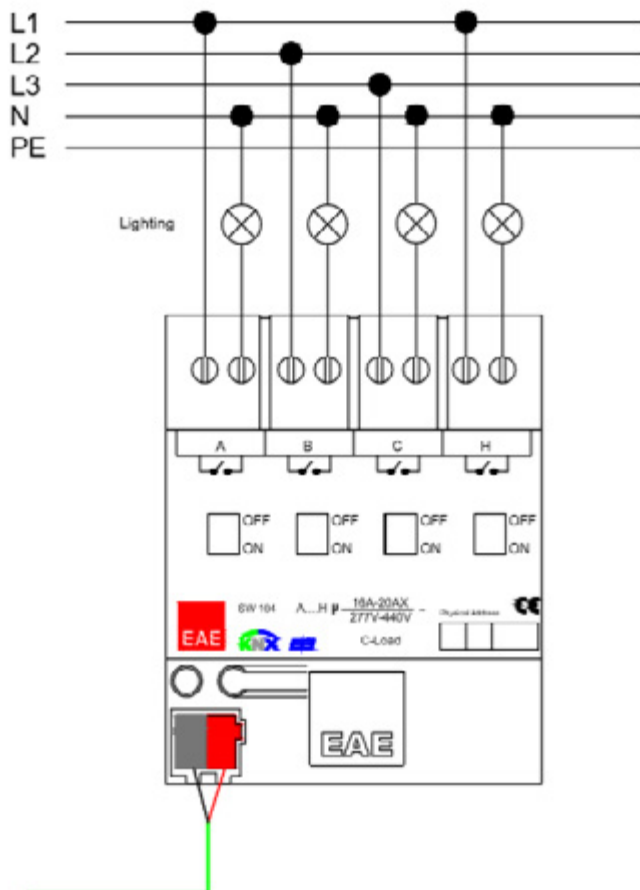
All you need is EAE



Technical Data

Box	Plastic, polycarbonate, colour grey		
CE	In accordance with the EMC guideline and low voltage		
Application program	Communications objects	Number of addresses(max)	Number of assignments(max)
	122	253	253

Connection Example



Scale Drawings

