

General Features

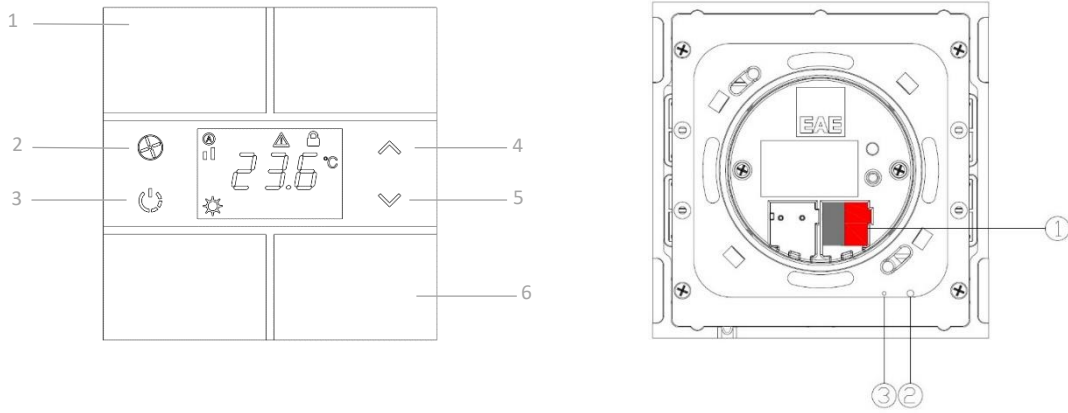


- Can be configured with ETS5/ETS6
 - Metal Touch Button Design
 - Temperature Adjustment on Digital LCD
 - Integrated Temperature Sensor (°C/ °F)
 - Integrated Humidity Sensor
 - Cleaning Mode function
 - Logical function
 - Fan Speed Adjustment (1, 2, 3, Auto)
 - Different Operation Modes (Comfort, Night, Away, OFF)
 - Fully Automatic Function Mode (hot-cold transition)
 - Control Flexibility for all HVAC units including VRF-VRV and AC
 - PI rational, PI on-off (PWM), On/Off, Fan coil, Split unit controls
 - Easy mount into 60x60 mm standard switch junction boxes
- Switching
 - Dimming
 - Shutter/Blind Control
 - Value transfer
 - Scene Control
 - Status LEDs

Technical Data

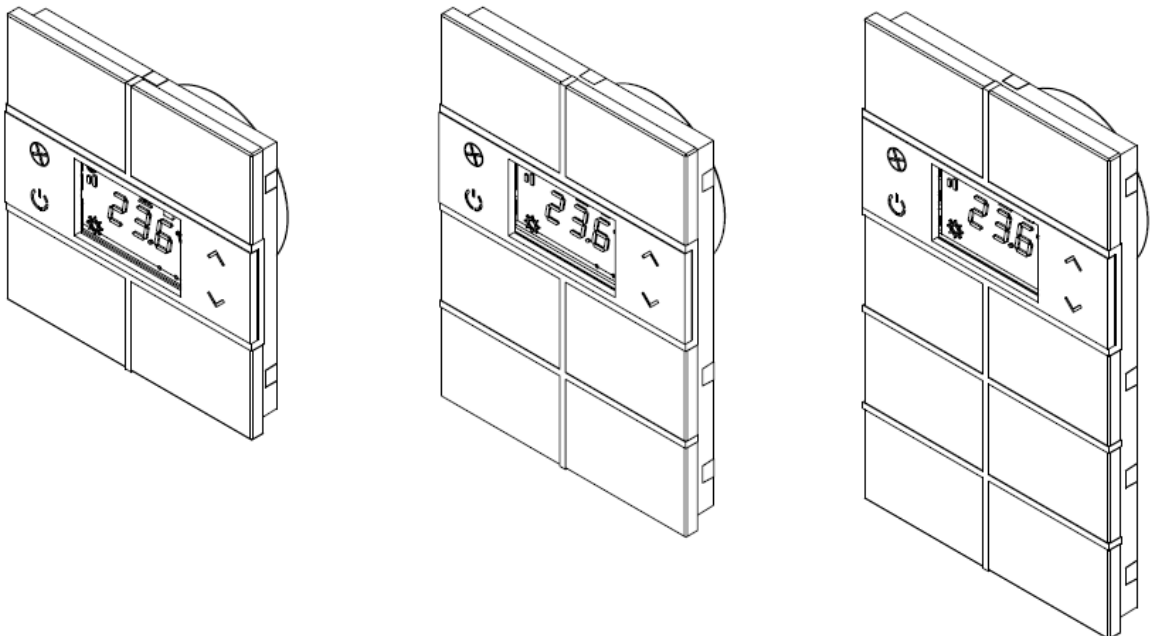
Safety Rating	IP20	EN 60 529	
Safety Class	II	EN 61 140	
Power Supply	Voltage	21V... 30V DC, via the KNX bus	
	Current drawn from bus	<10mA	
Connections	KNX	Bus Connection	
Operating Elements	LED (red)	Physical Address Programming	
	LED (white)	Navigation LED and Button Status LEDs	
Operating Temperature	Ambient	-5° C + 45° C	
	Storage	-25° C + 55° C	
Temperature Sensor	Measurement Accuracy	±0,3 °C	
Humidity	Max. Air humidity condensation	95 % no moisture	
Dimensions	Front Side (for 1 or 2 fold)	85 x 85 mm	
	Side- Surface mounted part	11 mm	
	Side- Flush mounted part	20 mm	
	Front Side (for 3 fold)	85 x 114 mm	
	Side- Surface mounted part	11 mm	
	Side- Flush mounted part	18,50 mm	
	Front Side (for 4 fold)	85 x 143 mm	
	Side- Flush mounted part	18,50 mm	
Box Material	Glass and Metal – Surface		
	Polycarbonate – Flush mounted part		
Color	Anthracite, Bronze, Dull Gold, Natural		
CE	In accordance with the EMC guideline and low voltage		
Application Program	Comm. Objects	Max. Group Addresses	Max. Matching
	76	254	255

Functional Elements and Connections

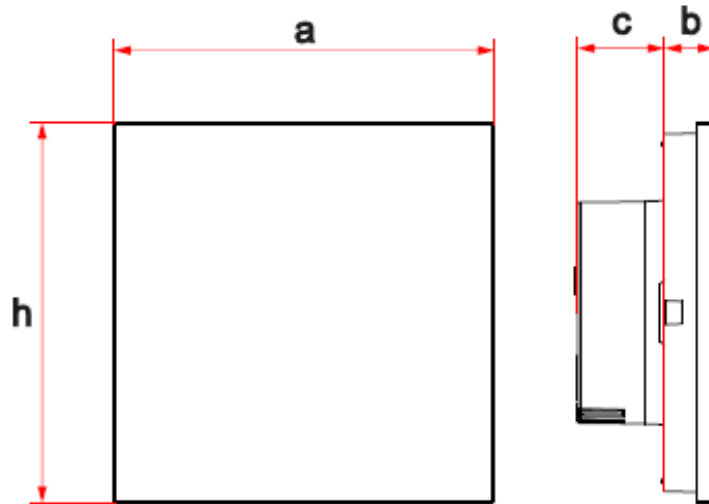


1. Programmable Touch Button Group 1
2. Fan Speed (1, 2, 3, A)
3. Operation Mode (Comfort, Night, Away, OFF)
4. Setpoint Temperature UP
5. Setpoint Temperature DOWN
6. Programmable Touch Button Group 2

1. KNX Port Terminal
2. Programming Button
3. Programming LED



Technical Drawings



Products			Dimensions (mm)			
			<u>a</u>	<u>b</u>	<u>c</u>	<u>h</u>
Rosa Metal Series	Rosa Crystal Series	1 Fold Thermostat	85,00	11,00	20,00	85,00
		2 Fold Thermostat	85,00	11,00	20,00	85,00
		3 Fold Thermostat	85,00	13,50	18,50	114,00
		4 Fold Thermostat	85,00	13,50	18,50	143,00