

Datasheet Mona DND/MUR

**EAE KNX MONA Series**

*All you need is EAE*



## General Description



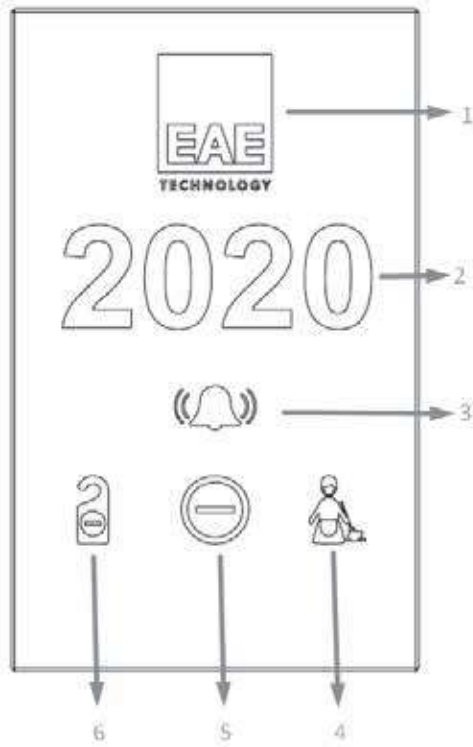
The Mona series DND MUR display, where you can easily see whether your guests are in the room, consists of a glass touch screen and includes room number, hotel logo, occupancy, Do Not Disturb, Make Up Room indicators and doorbell buttons.

- Customizable Logo
- Built-in touch buzzer button
- Suitable for flush mounting
- Device is powered by KNX
- Physical and KNX Doorbell output
- 2 x Relay Output
- Colourful LED Indicators
- The occupancy information is taken from KNX

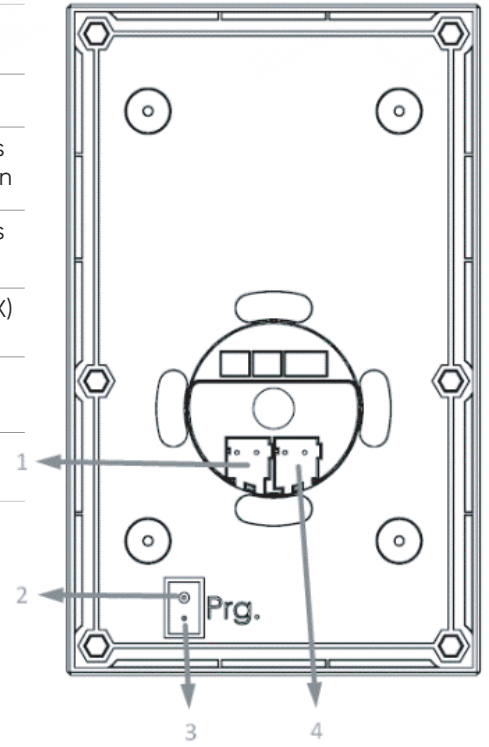
## Technical Data

<b>Type of Protection</b>	IP20 (IP65 optional)	EN 60529
<b>Safety Rating</b>	II	EN 61140
<b>Connections</b>	KNX Bus KNX AUX	Bus Connection Bus Connection
<b>Power Supply</b>	Voltage Current drawn from KNX bus Current drawn from KNX aux	21V... 30V DC, via the KNX <5 mA <60 mA
<b>Operating Temperature</b>	Ambient Storage	-5° C + 45° C -25° C + 55° C
<b>Humidity</b>	Max. Air humidity condensation	95% no moisture
<b>Dimensions</b>	Front Side Side- Surface mounted part Side- Flush mounted part	120 x 195 mm 13,2 mm 20.8 mm
<b>Box Material</b>	Front Side – Glass Flush Mounted Parts – Polycarbonate	
<b>CE</b>	In accordance with the EMC guideline and low voltage	

### Functional Elements and Connections



Front Side	Back Side
1- Logo	1- KNX Bus
2- Room Nr.	2- Physical address programming button
3- Buzzer Button	3- Physical address programming LED
4- MUR Indicator	4- 30V DC (KNX AUX)
5- Occupancy LED	
6- DND Indicator	



### Technical Drawings

