

Datasheet Mona DND/MUR

EAE KNX MONA Series

All you need is EAE



General Description



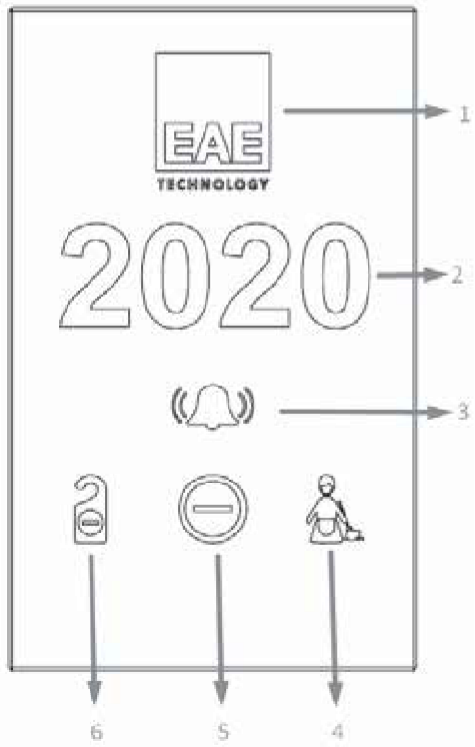
The Mona series DND MUR display, where you can easily see whether your guests are in the room, consists of a glass touch screen and includes room number, hotel logo, occupancy, Do Not Disturb, Make Up Room indicators and doorbell buttons.

- Customizable Logo
- Built-in touch bell button
- Suitable for flush mounting
- Device is powered by KNX
- Physical and KNX Doorbell output
- 2 x Relay Output
- Colourful LED Indicators
- The occupancy information is taken from KNX

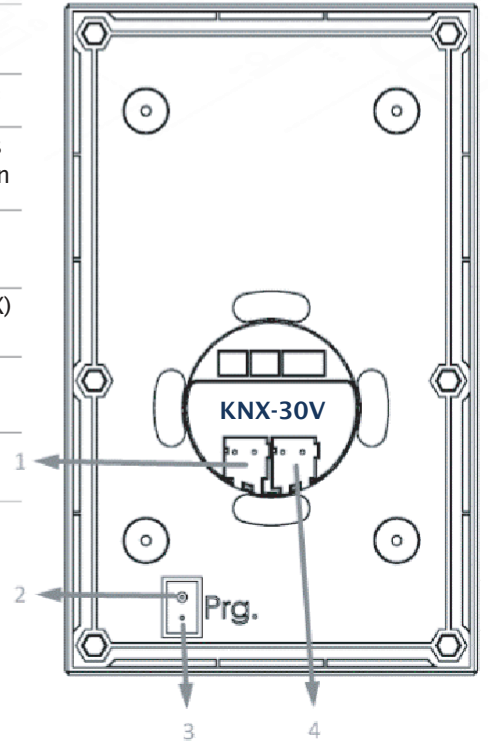
Technical Data

| | | |
|------------------------------|--|---|
| Type of Protection | IP20 (IP65 optional) | EN 60529 |
| Safety Rating | II | EN 61140 |
| Connections | KNX Bus KNX AUX | Bus Connection Bus Connection |
| Power Supply | Voltage Current drawn from KNX bus Current drawn from KNX aux | 21V... 30V DC, via the KNX <5 mA <60 mA |
| Operating Temperature | Ambient Storage | -5° C + 45° C -25° C + 55° C |
| Humidity | Max. Air humidity condensation | 95% no moisture |
| Dimensions | Front Side Side- Surface mounted part Side- Flush mounted part | 120 x 195 mm 13,2 mm 20.8 mm |
| Box Material | Front Side – Glass Flush Mounted Parts – Polycarbonate | |
| CE | In accordance with the EMC guideline and low voltage | |

Functional Elements and Connections



| Front Side | Back Side |
|------------------|--|
| 1- Logo | 1- KNX Bus |
| 2- Room Nr. | 2- Physical address programming button |
| 3- Bell Button | 3- Physical address programming LED |
| 4- MUR Indicator | 4- 30V DC (KNX AUX) |
| 5- Occupancy LED | |
| 6- DND Indicator | |



Technical Drawings

