

## General Description

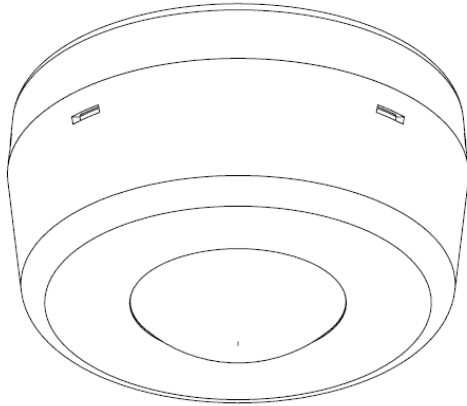


Figure 1: HD100 Highbay Motion Detector

- HD100 KNX Highbay Motion Detector is ideal for warehouses, industrial areas, conference rooms and sport halls.
- Constant light function can be applied in dependence of presence information thanks to integrated brightness sensor and movement sensor. HD100 regulates the ambient brightness to a defined brightness value.
- Lighting can be set to different brightness levels with corridor function based on occasions such as "motion detection, after movement, no action". Stay-on time can be changed the by end user.
- Air-conditioning and ventilation systems can be controlled by independent HVAC channel.
- Presence information can be sent to presence monitoring applications by independent presence channel.
- The EAE KNX HD100 can be used as a standalone device or master-slave device (parallel operation with other sensors) according to necessity of project.
- HD100 enables fully-automatic and semi-automatic lighting control.
  - Test and calibration mode allow for easy installation.
  - The device does not require an additional power supply.

## Technical Data

|                            |  |  |
|----------------------------|--|--|
| <b>Type of protection</b>  | IP 20<br>IP44 (Optional)                             | EN 60 529                                  |
| <b>Safety class</b>        | II   | EN 61 140                                  |
| <b>Power supply:</b>       | Voltage  | 21V... 30V DC, KNX line                    |
|                            | Current consumption                                  | < 10 mA                                    |
| <b>Application Area</b>    |  | Interior rooms                             |
| <b>Sensor Type</b>         |  | Passive infrared                           |
| <b>Installation</b>        | Location   | Ceiling                                    |
|                            | Recommended height                                   | 7 m – 14 m                                 |
| <b>Detection</b>           | Diameter (at height of 12m)                          | 22 m movement detection                    |
|                            | Area   | 113 m <sup>2</sup>                         |
|                            | Angle  | 360°                                       |
|                            | Light level  | 10 – 1000 lux                              |
| <b>Additional channels</b> |  | Brightness, presence channel, HVAC channel |
| <b>Parallel operation</b>  |  | Master/Master, Slave/Master                |
| <b>Operating elements</b>  | LED (red) and button                                 | For physical address                       |
| <b>Temperature range</b>   | Ambient  | -5° C + 45° C                              |
|                            | Storage  | -25° C + 55° C                             |
| <b>Dimensions</b>          |  | See Scale Drawings                         |
| <b>Box</b>                 | Plastic, polycarbonate, colour white                 |  |
| <b>CE</b>                  | In accordance with the EMC guideline and low voltage |  |

## Scale Drawings

