

# HD100

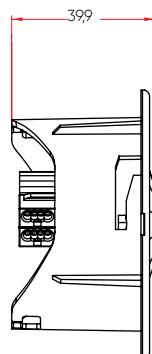
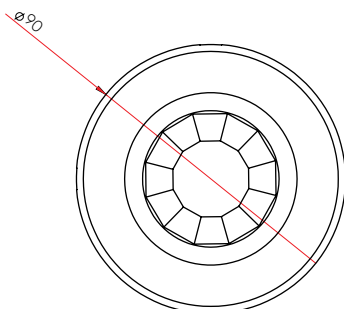
## EAE KNX Highbay Motion Sensor



### General Specifications

- HD100 KNX Highbay Motion Detector is ideal for warehouses, industrial areas, conference rooms and sport halls.
- Constant light function can be applied in dependence of presence information thanks to integrated brightness sensor and movement sensor. HD100 regulates the ambient brightness to a defined brightness value.
- Lighting can be set to different brightness levels with corridor function based on occasions such as "movement, after movement, no movement". Stay-on time can be changed the by end user...
- Air-conditioning and ventilation systems can be controlled by independent HVAC channel.
- Presence information can be sent to presence monitoring applications by independent presence channel.
- The EAE KNX HD100 can be used as a standalone device or master-slave device (parallel operation with other sensors) according to necessity of project.
- HD100 enables fully-automatic and semi-automatic lighting control.
- Test and calibration mode allow for easy installation.
- The device does not require an additional power supply.

### Dimensions (mm)



**Technical Information**

<b>Protection Type</b>	IP 20	EN 60529
<b>Safety Class</b>	II	EN 61 140
<b>Power Supply</b>	Voltage	21 - 30V DC, KNX Line
	Current consumption	< 10mA
<b>Application areas</b>	Warehouses, Car Parks etc.	
<b>Sensor Type</b>	Passive infrared	
<b>Installation</b>	Location	Ceiling
<b>Detection</b>	Diameter (at height of 12m)	14m movement detection
	Area	25m
	Angle	360°
	Light Level	10-1000 lux
<b>Additional Channels</b>	Brightness, presence channel, HVAC channel	
<b>Parallel Operation</b>	Master/Master, Slave/Master	
<b>Operating Elements</b>	LED (red) and button	For physical adress
<b>Temperature Range</b>	Ambient	- 5°C +45°C
	Storage	-25°C +55°C
	Transport	-25°C +70°C
<b>Dimensions</b>	See Scale Drawings	
<b>Weight</b>	0.065 kg	
<b>Box</b>	Plastic, Polycarbonate, Colour White	
<b>CE</b>	In accordance with the EMC guideline and low voltage	
<b>Application Program</b>	Communications objects	Number of addresses (max)
	44	254

**Ordering Information**

Product Name	Product Code	Ordering Code	Package Information
EAE KNX Highbay Motion Detector (Surface mounted)	SMP HD100 EAE F-KNX	48108	1 pcs.